

# Dew Point Sensor NP330-G

## Measuring trace humidity.

### Dew point sensor for measuring trace humidity in gases

- Inline transmitter designed to measure the absolute moisture in gases, in °C dew / frost point (optional ppmW / ppmV)
- Programmable switching output as alarm signal
- Calibrated against cooled mirror dew point meter
- Quality assurance of air-drying systems
- Cost savings during the drying process
- Can be delivered as OEM product

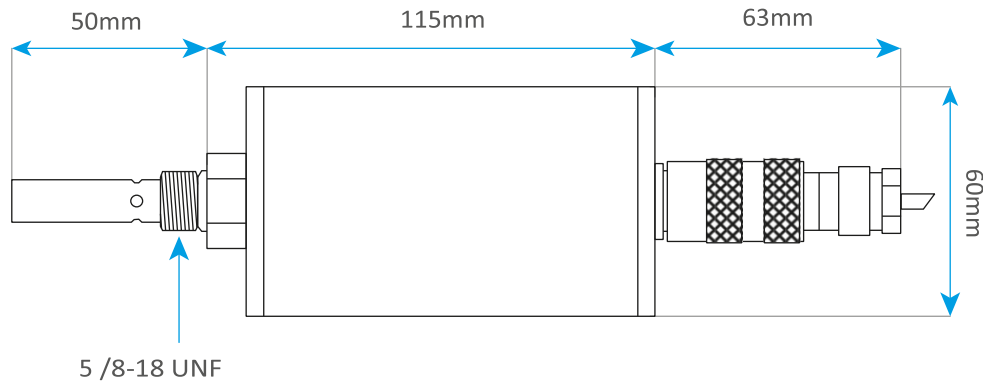
### Features

- Multipoint calibration (over 60 points)
- Temperature compensation
- High measuring accuracy
- Short response times
- High pressure and shock resistance
- High medium compatibility
- Also available for mil ranges
- Diverse display, transmission and evaluation options
- Mechanical extensions available for different immersion depths (120 mm and 430 mm)
- Calibration certificate according to DIN EN ISO/IEC 17025:2018-03



# Dew Point Sensor NP330-G

## Dimension



## Application fields among others

- Monitoring of air preparation facilities
- Dryer control (refrigeration dryer, adsorption dryer, etc.)
- Monitoring of compressors
- Monitoring of laboratories/research facilities
- Production of synthetic materials
- Stock & container control
- Paper & textile industry
- Building services engineering (heating, ventilation, air conditioning)
- Battery cell production
- Pharmaceutical industry
- Food industry
- Residual moisture measurement in gases

## Accessories

- Table display
- Mobile data logger P005
- Sensor chamber
- Sensor connection cable
- 1/2 -inch thread adaptor
- PC software autocali

## Technical Data

- Measuring range dew/frost point  
-80°C dp to +20°C dp  
(other ranges on request)
- Operating temperature  
-20°C to +60°C
- Calibration and output for 4-20mA output  
dew point, ppmW, ppmV
- Current output  
4-20mA
- Serial interface  
RS232
- Switching output  
24 V DC / max. 70mA
- System pressure  
up to 300 bar (4350 psi)
- Supply  
18-28 V DC / max. 70mA
- Standard mounting depth  
50 mm with ½-inch thread  
(optional mounting depths: 120 mm or 430 mm)
- Protection type  
IP65

# Dew Point Sensor NP330-G

## Order Numbers

| Article  |                  | Order Number |
|--|------------------|--------------|
| Sensor NP330-G, length of shaft 50 mm (-80/+20°C dp, ppmW oder ppmV)             | NP330-G Standard | 12940        |
| Sensor NP330-G, length of shaft 120 mm (-80/+20°C dp, ppmW oder ppmV)            | NP330-G 120 mm   | 10076        |
| Sensor NP330-G, length of shaft 430 mm (-80/+20°C dp, ppmW oder ppmV)            | NP330-G 430 mm   | 20685        |
| Sensor NP330-G, length of shaft 50 mm (-100/+20°C dp, ppmW oder ppmV)            | NP330-G Standard | 18846        |
| Sensor NP330-G, length of shaft 120 mm (-100/+20°C dp, ppmW oder ppmV)           | NP330-G 120 mm   | 22508        |
| Sensor NP330-G, length of shaft 430 mm (-100/+20°C dp, ppmW oder ppmV)           | NP330-G 430 mm   | 23394        |
| Other ranges on request  |                  |              |
| <b>Accessoires</b>   |                  |              |
| Sensor Connection Cable, 5 m   | NP390            | 12938        |
| Sensor Chamber<br>Material Stainless Steel 1.4301<br>Connection Thread G1/8-inch | NP338            | 13981        |
| Mobile Data Logger   | P005             | 13994        |
| Table Display<br>0 to 1999 ppm H <sub>2</sub> O                                  | NP415            | 13976        |
| PC-Connecting Kit<br>incl. Power Supply, Sensor Cable, Serial Cable              | NP374            | 13997        |
| <b>Software</b>  |                  |              |
| Autocali Software  | 4.4.3            | 412          |
| <b>Services</b>  |                  |              |
| Calibration NP330-G  |                  | 100248       |
| Customer-specific validation of devices (on request)                             |                  |              |